

SMART GUARD

Electronic level sensed condensate drain with alarm function

PRODUCT FEATURES

The SMART GUARD is a compact electronically operated level sensed condensate drain which offers zero air-loss during the condensate discharge cycle.

The SMART GUARD is cost effective and offers a rapid pay-back period due to a competitive pricing level, low stocking cost, zero air-loss and energy saving aspects.

The SMART GUARD can be installed in all compressed air system components up to 3000 scfm regardless size and climate zone, Only 1 model needed!

The new and improved design, the robust industrial housing, the alarm feature and the 2/2 way direct acting valve assembly make the SMART GUARD a reliable solution for all compressed air system applications.

The SMART GUARD offers an integrated mesh strainer (to prevent large particles from entering the valve orifice), is easy to disassemble and is service friendly.



New and improved design!

COMMERCIAL BENEFITS

- Competitive compact zero air-loss draining solution.
- Capacitive level sensing technology saves air, energy and money.
- Rapid pay-back period due to competitive pricing level and reduced stocking costs.
- 1 model covers up to 3000 scfm compressor capacity.
- No sizing charts required.
- Special module colour available for private label branding purposes.
- Operating pressure up to 230 psi.

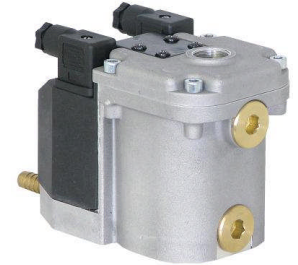
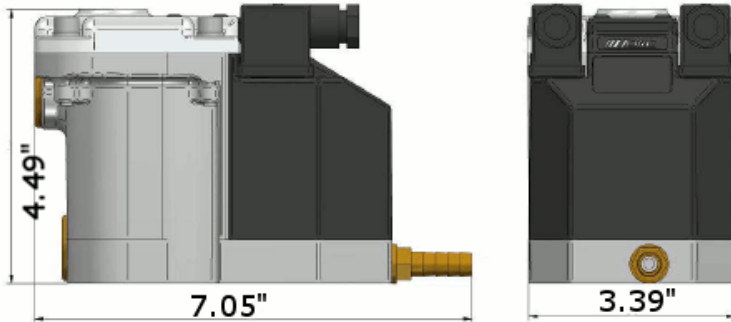
TECHNICAL ADVANTAGES

- Alarm function (NO or NC) as a standard.
- Successful draining of condensate due to large orifice (also heavily emulsified condensate).
- Easy installation.
- Visual display of operating status.
- Integrated strainer.
- Direct acting valve assembly, ensuring reliable discharge operation.
- Robust aluminium housing.

SMART GUARD

Electronic zero air loss condensate drain with alarm function

DIMENSIONS



Multiple (3) inlet options

SPECIFICATIONS

Maximum compressor capacity	3000 scfm
Min./max. system pressure	0 psi / 230 psi
Valve type	2/2 way, direct acting
Valve orifice	4.5 mm
Valve seals	FPM
Inlet connection	1/2" NPT
Outlet connection	1/4" NPT
Inlet height	4.49" (top) and .59" & 2.95" (side)
Minimum medium temperature	34° F
Maximum medium temperature	122° F
Supply voltage options	230VAC / 115VAC 24VAC / 24VDC
Connectors	DIN 43650-B
Serviceable valve	Yes
TEST feature	Yes
Environmental protection	IP65 (NEMA4)
Integrated mesh strainer	Yes



Integrated mesh strainer to protect the valve.

Alarm contact options Alarm Normally Closed (NC) / Alarm Normally Open (NO)

Three step disassembling to service the drain



1. Unscrew the 4 bolts



2. Remove the top part



3. Slide off the electronic module

JORC is ISO 9001:2008 Certified



Information provided herewith is believed to be accurate and reliable. However, no responsibility is assumed for its use or for any infringement of patents or rights of others, which may result from its use. In addition, JORC reserves the right to revise information without notice and without incurring any obligation.

JORC Industrial LLC. Tel 302-395-0310
 1146 River Road Fax 302-395-0312
 New Castle, DE 19720 E-mail info@jorc.com
 USA http:// www.jorc.com